



High quality components ...



...in a sturdy stainless steel cabinet

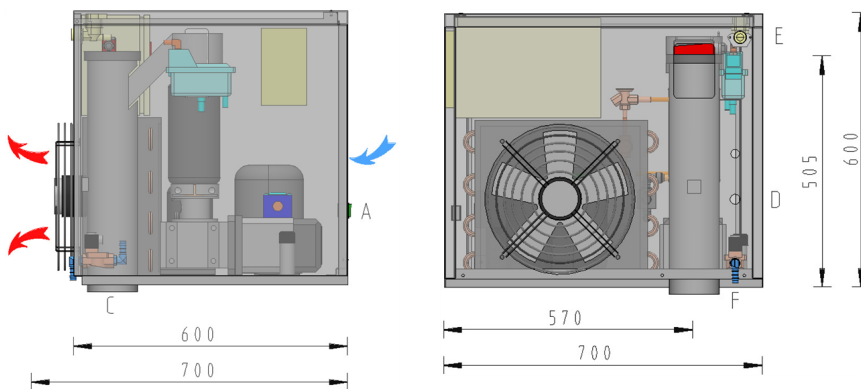
## Main characteristics

- Capacity: 300 kg/24 h NuggetIce
- Ideal ice temperature of  $-0,5\text{ }^{\circ}\text{C}$  NuggetIce or MicronuggetIce
- Designed for continuous operation - 24 hours - 7 days a week
- Hygienic Design: Closed watersystem - protected against contamination by external influences
- Environmental friendly technology - No moving parts in the refrigeration circuit of the evaporator - no refrigerant leakage



NuggetIce

## Dimensions and connections



- A operating switch
- C ice discharge
- D electr. connection
- E water supply
- F water drain

provided by customer  
 water filter  
 stop cock  
 electr. protection  
 waste water connection  
 (contactless)

## Technical Data

	ZNE 300 20°C
300 kg/24 h nominal capacity at	20 °C air temperature and 15 °C water temperature
cabinet dimensions (L x W x H)	70 cm x 60 cm x 60 cm
weight	90 kg
cabinet	stainless steel 1.4301
electricity	
power consumption	1,1 kW
full-load electricity	3,9 A
provided by customer	
electric supply	1/N/PE ~ 230V 50 Hz
fuse, slow-blow	10 A
cable cross section, Cu	1,5 mm <sup>2</sup>
water	
water supply	3/4 " male thread
water drain	14 mm hose nozzle
provided by customer	
pressure	1 - 5 bar
quality	drinking water
pH-value	7,2 - 9,5 pH
hardness	3 - 6 °dH
temperature	0 - 125 mg CaCO <sub>3</sub> /l 5 °C - 30 °C
ambient temperature	5 °C - 42 °C
condenser	air cooled
air flow	1400 m <sup>3</sup> /h
heat emission	1,6 kW
refrigerant R452A / R404A	1,2 kg
compressor	fully hermetic
refrigerating capacity	1,25 kW
evaporation temperature	-18 °C
condensation temperature	33 °C
noise level	55 dBA (3 m)

Subject to technical modifications. In case of deviations please contact us.

## Scope of supply

The ZIEGRA ice machine will be delivered according to CE standards and ready for connection to water and electricity.

### ZIEGRA quality and reliability

- high pressure pressostat
- Water level monitoring
- Motor protection -  
for the compressor

### Included accessories

- Ice discharge tube
- Switch-off by reflexion light scanner when  
ice cart or storage is full
- Connecting cable 5 m
- Flexible hose water supply 2 m
- Water drain hose 2 m
- PE ice shovel

## Options

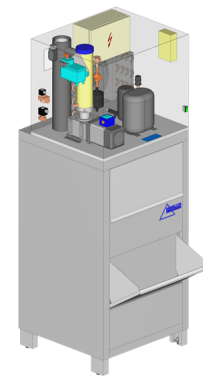
- Ice discharges in various designs, e.g. to produce
  - into a storage bin, or
  - into an ice trolley or similar
- Split installation, e.g. condenser, refrigeration unit or both in remote version
- For connection to cooling water
- Low-noise condenser (only for remote installation)
- Ice maker only
  - for separate refrigeration unit
  - for central refrigeration system
- Special voltage



Ice production into an ice trolley

## Accessories

- Ice storage bins in various sizes and designs, suitable for integration into automated processes e.g. AS, S for automatic or manual dosing
- HygienePlus: water drainage, flushing system, or flushing incl. disinfection
- Cartridge Water Filter reduces lime scale and germs
- UV sterilization
- ZIEGRA water softening: available for very hard water and large flow rates
- Support, wall brackets, or similar
- Melt water pump, leak water sensor and leak water tray
- Freeze protection
- additional separate operating switch
- timer for 7 days
- Restart delay
- protection against overvoltage and undervoltage
- Spare parts available for minimum for 15 years
- Global sales and service.



Ice machine with storage bin B200



Cartridge waterfilter 40

Technical details: please see respective machine specification. With pleasure we submit to you any further information, also regarding your special requirements